

**AC Series  
Tubeaxial  
Cooling Fans  
Model No. A47T10**

**4.69" Sq. x 1.00"  
(119 mm Sq. x 25 mm)  
49-71 CFM  
(23.1-33.5 L/Sec.)**



**Features**

- Reliable shaded-pole motor construction
- Precision ball bearing system provides:
  - Longer life
  - Higher temperature extremes
  - Lower noise over time
  - Maximum shock and vibration resistance
- Rugged die-cast aluminum housing for maximum heat dissipation

**Accessories:**

- Finger guards
- Power cords
- Filters

**General Specifications**

**Frame:** Die-cast aluminum painted black for moisture and corrosion resistance

**Impeller:** Reinforced polybutylene plastic (UL94V-0 rating)

**Bearings:** Precision, life-lubricated ball bearings

**Insulation:** Class A integral ground system rated @ 248°F (120°C)

**Weight:** 13 ozs. (360 grams)

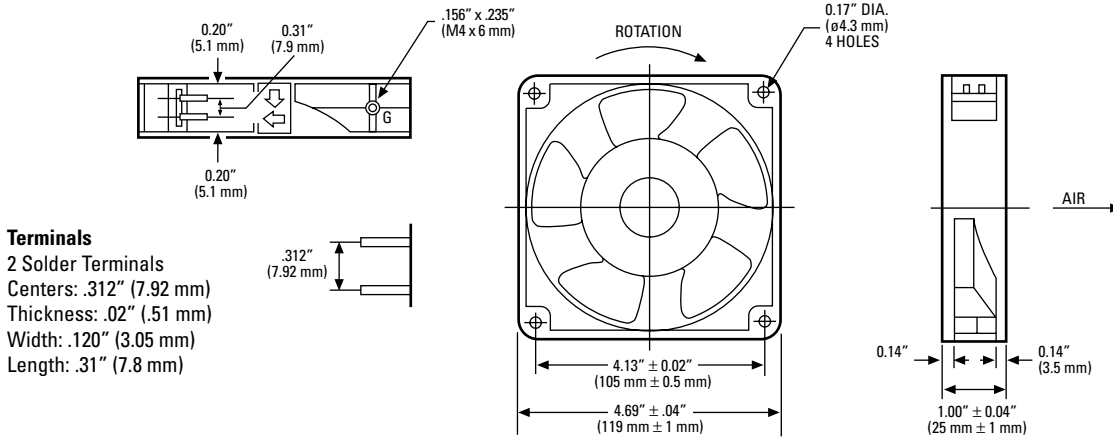
**Operating Temperature Range:** 14° to 158°F (-10° to 70°C)

**Insulation Resistance:** 100 megohms minimum @ 500 VDC

**Dielectric Strength:** 1500 VAC for 3 seconds

**Safety Protection:** Impedance protected

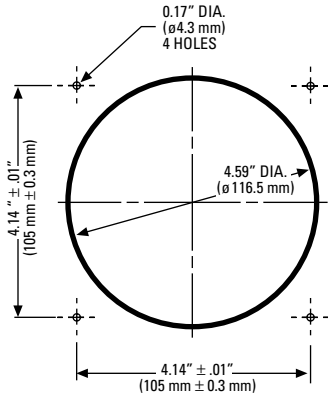
**Life Expectancy:** 50,000 hours minimum @ 77°F (25°C)



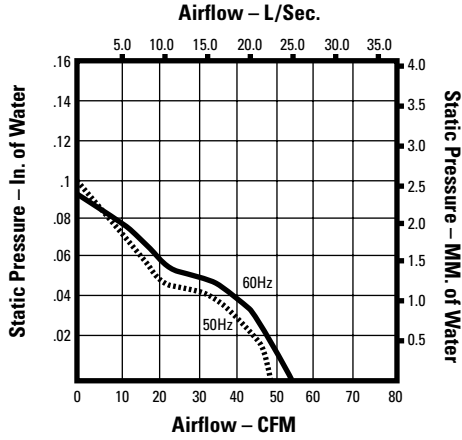
Globe Motors Part Number	Nominal Voltage VAC	Frequency Hz	Watts	Line Amps	RPM	Acoustic Noise dBA	Airflow (Min.)	
							CFM	Liters per Second
A47-B10A-15T2-000	115	50 / 60	8.0 / 7.0	0.100 / 0.090	1900 / 2000	29 / 30	49 / 53	23.1 / 25.0
A47-B10A-15T3-000	115	50 / 60	14.0 / 11.0	0.190 / 0.160	2300 / 2700	34 / 38	64 / 71	30.2 / 33.5
A47-B10A-23T2-000	230	50 / 60	9.0 / 8.0	0.060 / 0.050	1900 / 2100	29 / 30	49 / 53	23.1 / 25.0
A47-B10A-23T3-000*	230	50 / 60	14.0 / 11.0	0.100 / 0.090	2300 / 2700	34 / 38	64 / 71	30.2 / 33.5

\*Not CE Approved

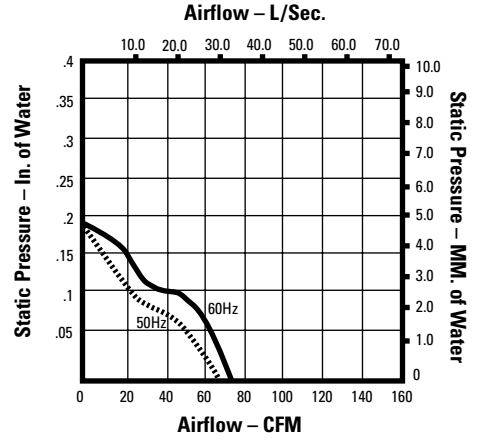
**Installation Guide**



**Performance at Sea Level**



**A47-B10A-15T2-000**



**A47-B10A-15T3-000**

**Approvals**



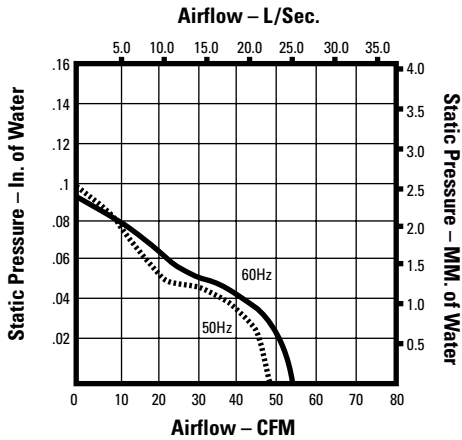
**UL File No.  
E105397**



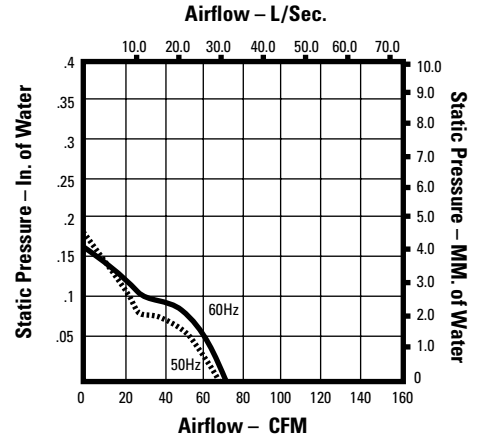
**CSA File No.  
72877**



**VDE File No.  
17074-2611-0702**



**A47-B10A-23T2-000**



**A47-B10A-23T3-000**

All operating specifications measured at nominal operating voltage, free air at sea level

**NOTES:**